

What is a Pager?

Pagers... those ubiquitous "beepers" that always seem to be going off during meetings.

Have you ever wondered:

- ⌘ how they work
- ⌘ how secure are they
- ⌘ how easy it would be to intercept messages
- ⌘ what type of information is it safe to send
- ⌘ what is the the risk in using them as part of your SIRT process

How to Intercept Pager Messages

To Intercept pager messages you need:

- ⌘ A hand held radio receiver to pickup the pager signals
- ⌘ A hardware decoder to demodulate the signal i.e. convert the audio signal to a data signal
- ⌘ Software to function like your pager software and decoding the pager transmissions so you can monitor who is getting paged.

Lots of detailed instructions on the web i.e.
http://www.hackcanada.com/2600/articles/2600_16-4_p24.txt

The Radio Receiver

The scanner must be able to pick up the frequencies used to transmit pager messages.

In the UK these are:

138.150 - 153.275

454.675 - 466.075

Good signals found on 153.1750

An example scanner is the Yupiteru MVT-7100

Cost - **£215.00**



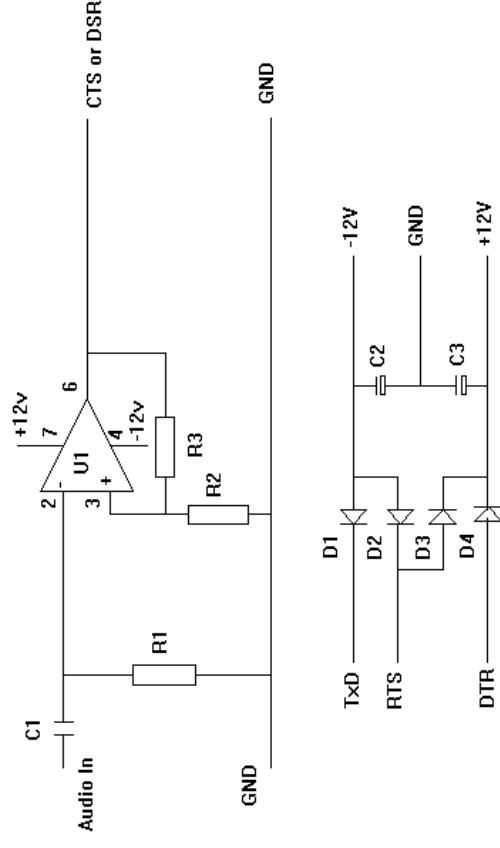
Hardware Decoder

Building a hardware decoder is not difficult and instructions are easily obtained on the internet.

If your soldering skills are rusty you can purchase one from

<http://www.pervisell.com/>

Cost - £19.99



Parts List:

U1	741
R1	100K
R2	10K
R3	100K
C1	0.1uF
C2-3	10uF, 16v
D1-4	1N4148 or 1N914

COM Port: 25way

CTS	5
GND	7
TxD	2
RTS	4
DTR	20
DSR	6

9way

8
5
3
7
4
4
6



Decoding software

Software to decode pager messages is available on the internet.

Some of the easiest to use are:

PD - POC32 Decoder

<http://www.bearnnet.demon.co.uk/pocsag/>

Winflex

<http://members.es.tripod.de/COMPSEEK/buscas.htm>

POC32

<http://home.nikocity.de/go/poc32/>

Cost - Free

Putting it all together

Time taken to
set-up system,
install
software, and
learn how to
use it:
90 minutes



Cost **£234.99** (Excluding PC)

```

T 116.1 -3.4 TSCO 257.8 +1.8 STAN 995.0 -15 SSE 654.8 +11.8 SPW 515.9 -2.1 1/1
[0175667] 3:07:12 PM A ALPHA 9:(850) 11-06-01 14:52 New:R040:2913691:L B OF GREENW
{1088080} 3:07:18 PM 1 1200 27:9922
{0295443} 3:07:18 PM 4 1200 1:9922
{1873933} 3:07:18 PM 4 1200 9:Please call [REDACTED] BankLine, WTR/CHAPS PYMT REC message(s) awaiting download
{1455678} 3:07:19 PM 4 1200 26:7121
{1752336} 3:07:19 PM 4 1200 7093140
{1750354} 3:07:19 PM 4 1200 5:Ticket No01137008 MALLORY BRADSHAW [REDACTED] 2 OUTLOOK INSUFFICIENT SPACE
{1874570} 3:07:20 PM 4 1200 7:Test message for Andy [REDACTED]
{1795600} 3:07:20 PM 4 1200 Please Ring 2216
{1549779} 3:07:20 PM 4 1200 7121
{1529176} 3:07:21 PM 4 1200 26:NSI* Normal services resumed on the Bakerloo Line NCC
{1524198} 3:07:22 PM 4 1200 13:013272629952
{1713755} 3:07:22 PM 4 1200 DSM: 01137009 ldngr3a.uk.[REDACTED].com Alarm #1 of global parameter 'NFSSNull' triggered
{1073504} 3:07:23 PM 4 1200 17:Ticket No01136958 SIMON [REDACTED] 867 [REDACTED] mesa/dns alias
{1818688} 3:07:24 PM 4 1200 26:NSI* Normal services resumed on the Bakerloo Line NCC
{1799456} 3:07:25 PM 4 1200 31:Ticket No01136958 SIMON [REDACTED] 867 [REDACTED] mesa/dns alias
{1529685} 3:07:26 PM 4 1200 32:ASN-LF110248,BULLEN CHRIS,[REDACTED] 3,5,HIT,Problems,15:08 SRH
{0570950} 3:07:36 PM 4 1200 4:PLEASE CALL ANN [REDACTED]
{1781159} 3:07:37 PM 4 1200 13:ZMIR LONDON WEST SECTOR SDH Transmission Failure 1340 INITIAL
[0177993] 3:07:50 PM C ALPHA BT-A 432.9 +0.9 BUS 1.4 -0.4 BUC 91.5 -5.5 CCG 387.5 -4.0 CCG 195.0 +0
.0 CED 177.5 -12.5 CS- 67.3 -1.5 CTB 0.0 +0.0 DAG 55.0 -1.5 DGO 30.3 +0.0 1/1
[0175835] 3:07:50 PM C ALPHA 13:ZMIR LONDON WEST SECTOR SDH Transmission Fai
{1197094} 3:08:03 PM 4 1200 PLEASE PHONE SHARON ON [REDACTED]
{1877181} 3:08:03 PM 4 1200 28:ring jackie asap
{1524347} 3:08:04 PM 4 1200 9::Incident #69161 Has reached its at Risk Escalation
{1543053} 3:08:04 PM 4 1200 29:ZMIR LONDON WEST SECTOR SDH Transmission Failure 1340 INITIAL
{1549779} 3:08:05 PM 4 1200 7122
{1870092} 3:08:05 PM 4 1200 2:DSM: 01137009 ldngr3a.[REDACTED].com Alarm #1 of global parameter 'NFSSNull' triggered
{1455678} 3:08:07 PM 4 1200 27:7122
{1008680} 3:08:07 PM 1 1200 28:9923
{1713771} 3:08:07 PM 4 1200 18:DSM: 01137009 ldngr3a.[REDACTED].com Alarm #1 of global parameter 'NFSSNull' triggered
{0295443} 3:08:08 PM 4 1200 2:9923
{1482770} 3:08:08 PM 4 1200 26:CAWU300I TRANS 3600 PGM GSOM0010 ABEND 4038 PAL1
{0691982} 3:08:09 PM 4 1200 20:root: fax1 FAX for 19 mins 4 failures
{1708145} 3:08:09 PM 4 1200 29:root: fax1 FAX for 19 mins 4 failures
{1867283} 3:08:10 PM 4 1200 26:root: fax1 FAX for 19 mins 4 failures
{1496172} 3:08:18 PM 4 1200 10:root: fax1 FAX for 19 mins 4 failures
{1342488} 3:08:36 PM 4 1200 29:PLEASE RING STINE ON 5[REDACTED]
{0954639} 3:08:36 PM 4 1200 01
{0684364} 3:08:36 PM 4 1200 2:25657
{1818983} 3:08:36 PM 4 1200 4:07765[REDACTED]
{0570471} 3:08:37 PM 4 1200 29:DAVID [REDACTED] FREEMAN HOSP WARD 2 [REDACTED] 5
{1714717} 3:08:38 PM 4 1200 11::Incident #69161 Has reached its at Risk Escalation
{1528669} 3:08:38 PM 4 1200 17:Ticket No01137007 EILEEN [REDACTED]
{1500833} 3:08:39 PM 4 1200 17:MRS LINDSEY 1 STONE [REDACTED] LANES BRIDESTOWE OAKHAMPTON 01837 [REDACTED] 1005 RE FRIDGE
{0653083} 3:08:40 PM 4 1200 PLEASE RING NICKI ON 0[REDACTED] 802
{0956655} 3:08:41 PM 4 1200 FROM DREW [REDACTED] AT RECRUIT COULD YOU PLEASE CONTACT THE OFFICE ASAP 01696 [REDACTED]

```


Warning!!

Don't try this at home

Receiving or Decoding certain signal might be against the law, so please check local, state, and federal law's before doing any of it

